



TURNER UNI-DRIVE

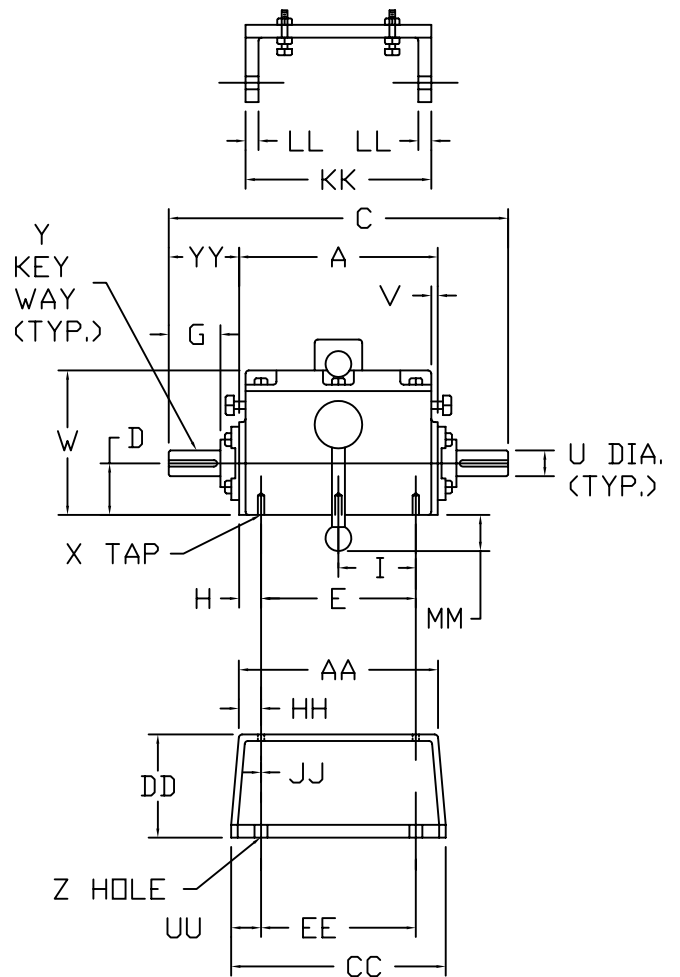
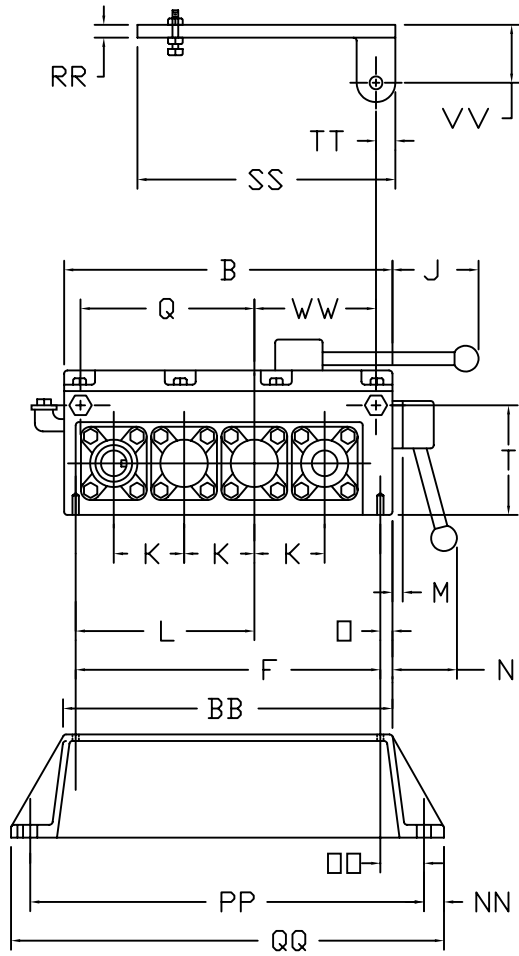
11M - MANUAL SHIFT

Ratio range 1.00 - 9.406 : 1
Torque Capacity - 2220 in-lbs (Manual)

Available in 2, 3, and 4 speeds with manual shaft
Off-the-shelf components for all ratios
Available with reversing ratios

Approx. Weight 235 lbs

DIMENSIONS



A	B	C	D	E	F	G	H	I	J	K	L	M
13 3/8	18 1/4	22 1/8	3.250	10	16 1/4	3 1/8	11/16	5	4	3.500	9 7/16	11/16

N	□	Q	T	U	V	W	X	Y	Z
2 3/4	1	9 3/8	6 3/8	1.375	21/32	8 1/8 _x	3/8-16 THD 5/8 DEEP	3/8 x 3/16 x 2 3/4	5/8 DIA

AA	BB	CC	DD	EE	HH	JJ	KK	LL	MM
12 5/8	18 1/4	12 5/8	4.000	10	15/16	0	13 1/2	5/8	2 1/2

NN	□□	PP	QQ	RR	SS	TT	UU	VV	WW	YY
1 1/8	2 1/4	20 3/4	23	3/4	14 7/8	15/16	15/16	4	6 3/4	4 3/8

DIMENSIONS ARE IN INCHES AND ARE NOT TO BE USED FOR CONSTRUCTION UNLESS CERTIFIED