



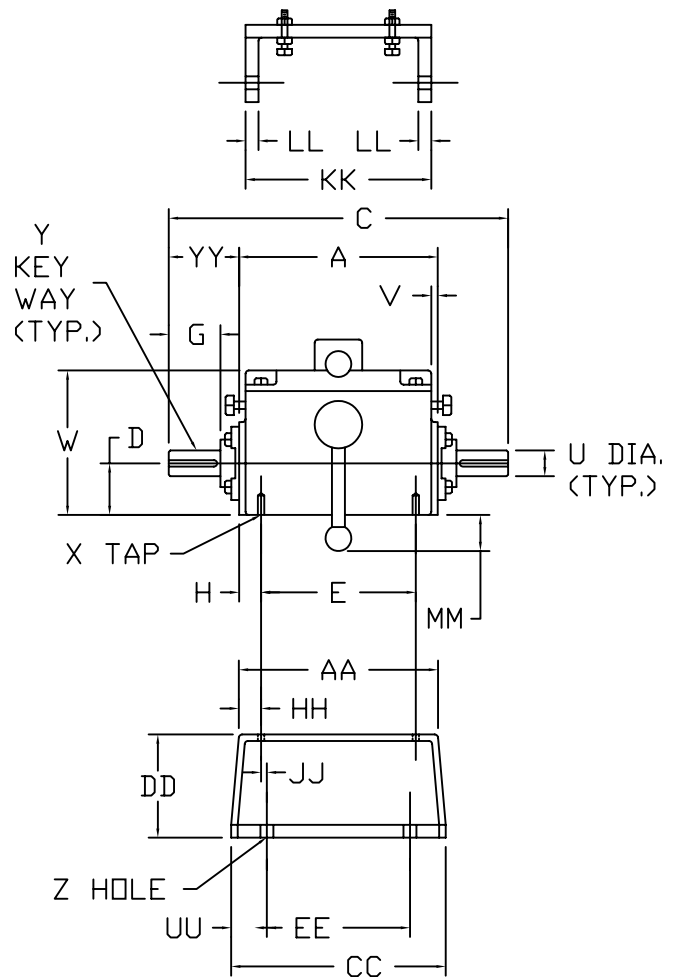
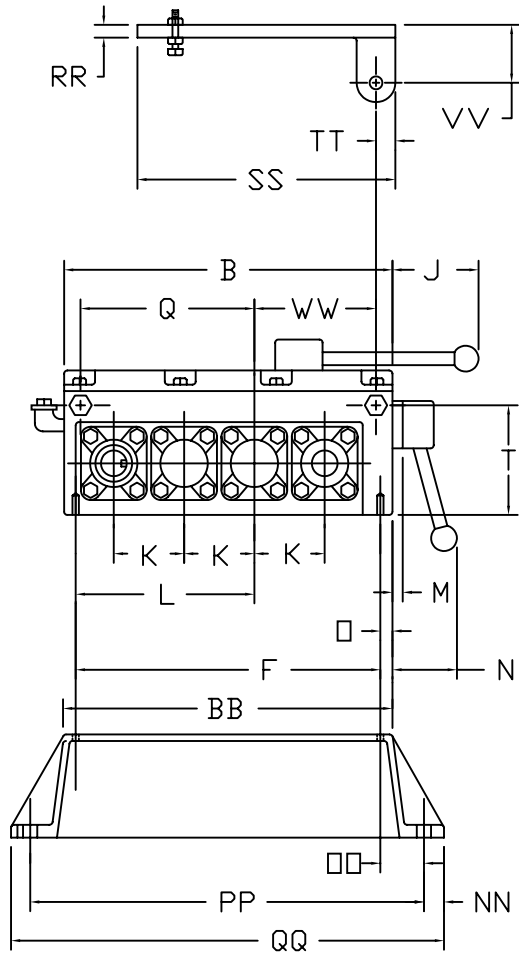
TURNER UNI-DRIVE 3M - MANUAL SHIFT

Ratio range 1.00 - 8.00 : 1
Torque Capacity - 570 in-lbs (Manual)

Available in 2, 3, and 4 speeds with manual shaft
Off-the-shelf components for all ratios
Available with reversing ratios

Approx. Weight 87 lbs

DIMENSIONS



A	B	C	D	E	F	G	H	J	K	L	M	N
8 5/8	14	14 3/8	2.438	6 7/16	12 1/2	2 1/4	1 3/32	3 1/2	2.625	7 1/16	3/4	2 5/8

□	Q	T	U	V	W	X	Y	Z
3/4	6 5/8	4 15/16	1.000	1/4	6 7/16	3/8-16 THD X 5/8 DEEP	1/4 X 1/8 X 2	17/32 DIA

AA	BB	CC	DD	EE	HH	JJ	KK	LL	MM
8 1/4	14	8 1/4	4.250	5	29/32	23/32	9 5/8	5/8	1 5/8

NN	□□	PP	QQ	RR	SS	TT	UU	VV	WW	YY
13/16	1 15/16	16 3/8	18	1/2	11	3/4	1 5/8	2 3/4	5 1/4	2 7/8

DIMENSIONS ARE IN INCHES AND ARE NOT TO BE USED FOR CONSTRUCTION UNLESS CERTIFIED